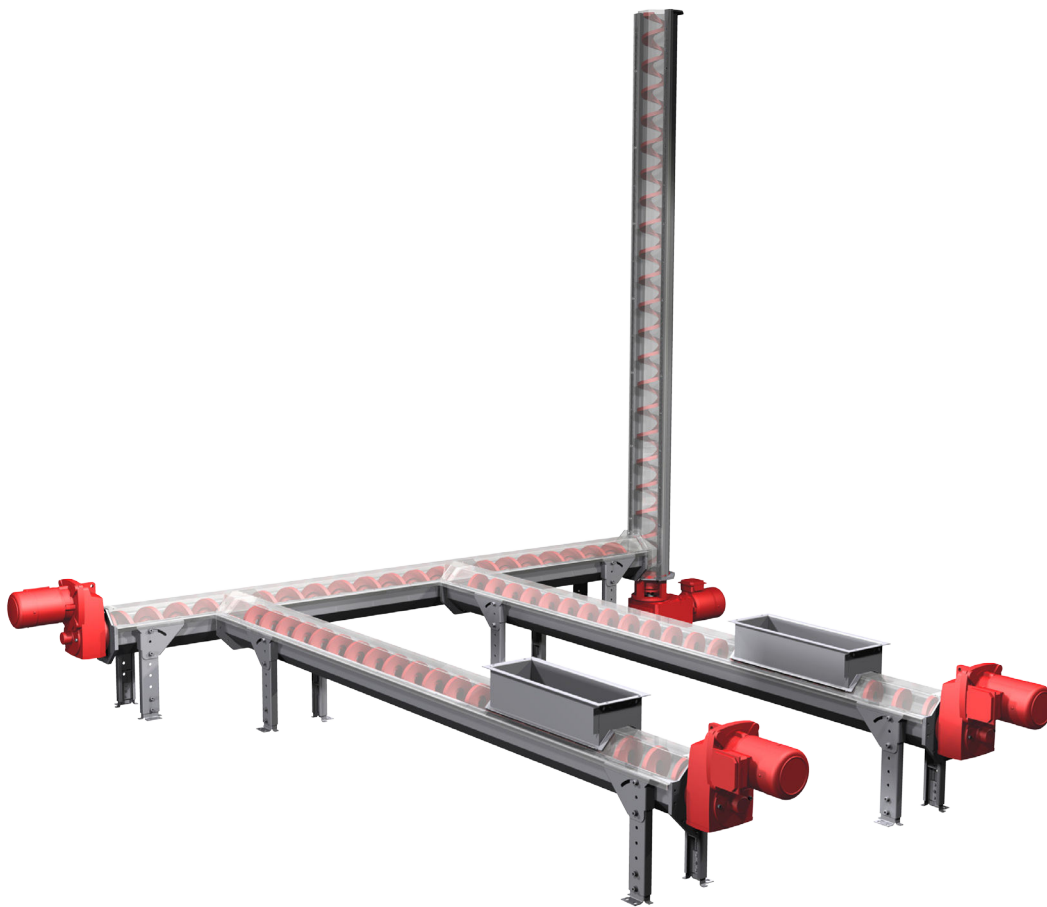


X CONVEYOR

Conveyor in Stainless Steel



Advantages and features

- Robust, shaftless conveyor
- High capacity, low maintenance
- Bolted legs and chutes - no welding required
- Low speed, low wear
- Handles wet, stringy, sticky materials
- Fully enclosed, sealed systems
- Stainless steel
- Horizontal, vertical and angular conveying
- Very low inlet height

X CONVEYOR SPIRAL CONVEYOR

Meva X conveyors are designed for high efficiency, flexibility, ease of installation, maximized reliability and simplified maintenance. A number of design innovations that result in one thing: cost efficiency.

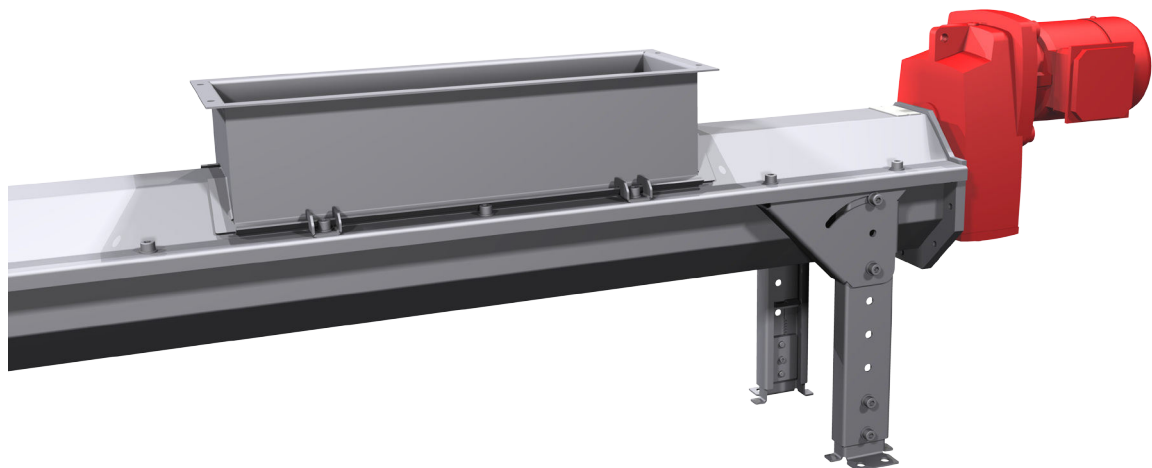
Meva X Conveyor is a conveyor system capable of transporting different materials such as dewatered sludge, pulp, garbage, woodchips, pellet fuel, slaughterhouse refuse etc.

Thanks to its high efficiency, the conveyor can operate at low speed, which means it runs smoother and is more energy efficient. The octagonal shape is more rigid than the traditional U-shape. In combination with the unique design of the lid, inclination up to 45° is possible with the standard trough, 90° with the vertical system. The lid also offers an extremely low inlet height, allowing low discharge heights from screens or similar.

Material is fed through one or more in/outlets. Both in- and outlets can be mounted to face in any direction and our new design is assembled on site without welding. A hole is simply cut open and the chute is then bolted in place.

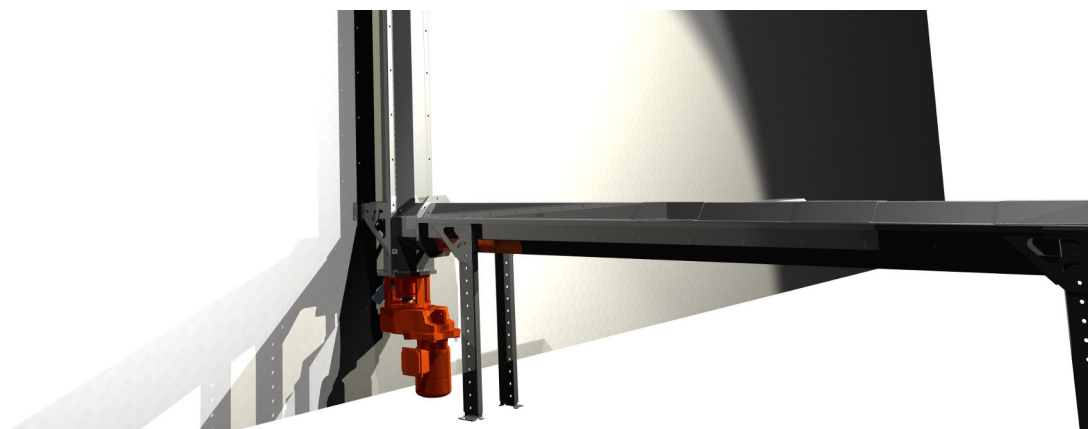
The shaftless spiral has only one bearing, at the drive end, giving more space for and less sensitivity to the conveyed material. Pushing drive enables the conveyor to work with materials that have a tendency to snag. The trough is protected by replaceable plastic liners in HDPE1000. They can be replaced without any welding, thanks to the lid design. Wear bars in Hardox or dual color plastic for wear indication is optional.

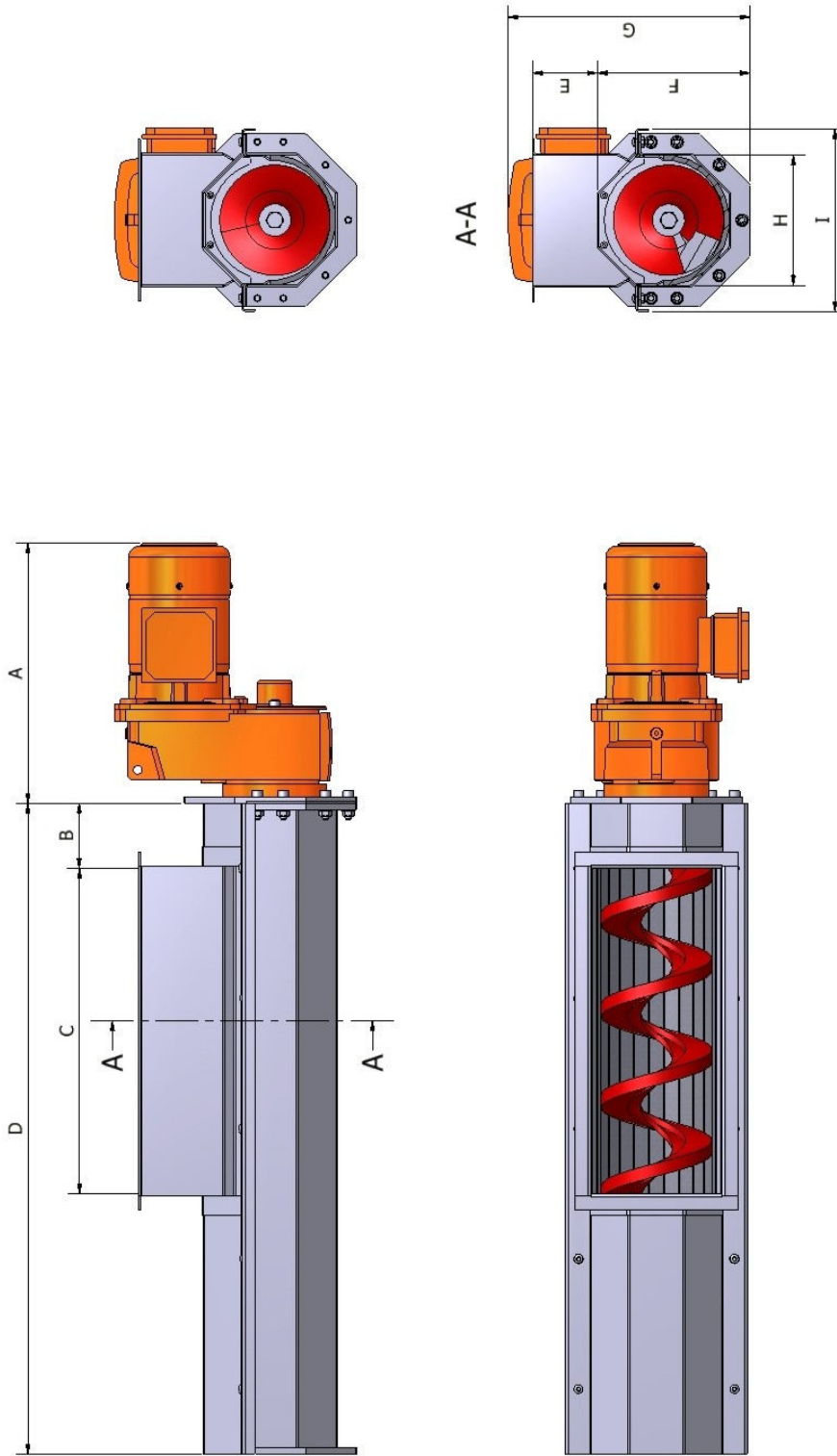
X Conveyor can be fitted with draining sections as an option, to separate liquids from solids. Complete systems with direct transfer from one conveyor to another can be provided. The tightly sealed lids and connections ensure good hygiene and a good working climate.



Applications

- Sewage treatment plants for removal of screenings from different types of screens and for handling dewatered sludge
- Household waste management as well as industrial
- Pulp and paper mills for knots, fiber sludge and pilper rejects
- The agriculture and raw foods industries
- The food processing industries
- Incineration plants for solid fuels eg wood chips, straw, ash and slag





Model	A	B	C	D	E	F	G	H	I
X-CONVEYOR 200	400 mm	Min 100mm			100mm (standard)	235 mm	375 mm	200 mm	280 mm
X-CONVEYOR 260	460 mm	Min 100mm			100mm (standard)	295 mm	440 mm	260 mm	240 mm
X-CONVEYOR 320	460 mm	Min 100mm			100mm (standard)	355 mm	470 mm	320 mm	400 mm
X-CONVEYOR 360	460 mm	Min 100mm			100mm (standard)	405 mm	500 mm	360 mm	460 mm
X-CONVEYOR 420	530 mm	Min 100mm			100mm (standard)	465 mm	600 mm	420 mm	520 mm
X-CONVEYOR 500	530 mm	Min 100mm			100mm (standard)	535 mm	640 mm	500 mm	600 mm

A & G varies.